

3x1/1 GN - 4x1/1 GN - 6x1/1 GN



125614 - 125628 - 125624

Bartscher GmbH
Franz-Kleine-Str. 28
D-33154 Salzkotten
Germany

Phone: +49 5258 971-0

Fax: +49 5258 971-120

Technical Support Hotline: +49 5258 971-197

www.bartscher.com



Version: 2.0

Date of preparation: 2025-01-30

Original instruction manual

1	Safety	2
1.1	Explanation of Signal Words.....	2
1.2	Safety instructions.....	3
1.3	Intended Use	6
1.4	Unintended Use	6
2	General information	7
2.1	Liability and Warranty	7
2.2	Copyright Protection	7
2.3	Declaration of Conformity	7
3	Transport, Packaging and Storage	8
3.1	Delivery Check.....	8
3.2	Packaging	8
3.3	Storage	8
4	Technical Data.....	9
4.1	Technical Specifications	9
4.2	List of Components of the Appliance	11
4.3	Functions of the Appliance.....	12
5	Installation and operation	12
5.1	Installation.....	12
5.2	Operation	16
6	Cleaning and Maintenance	18
6.1	Safety Instructions for Cleaning	19
6.2	Cleaning.....	19
6.3	Maintenance	19
7	Disposal.....	20



Read these instruction manual before using the appliance and keep it available at all times!

This instruction manual contains information about installation, operation and maintenance of the appliance and constitutes an important source of information and reference guide. The knowledge of all operational and safety instructions included in this manual is a prerequisite for safe and proper handling of the appliance.

Read this instruction manual before you use the appliance and particularly before you start the appliance to prevent injury or damage. Incorrect use may cause damage.

All important information contained in the operating instructions must be available to the appropriate staff at all time. The operator shall be responsible for their availability.

In addition to the operating instructions, you must comply with the general, legal and other applicable regulations for occupational safety and environmental protection.

EN

1 Safety

This appliance has been manufactured in accordance with technical standards currently in force. However, the appliance may be a source of hazards if used improperly or contrary to its intended purpose. All persons using the appliance must consider information included in this instruction manual and observe safety instructions.

1.1 Explanation of Signal Words

Important safety instructions and warning information are indicated in this instruction manual with appropriate signal words. You must strictly follow the instructions, to prevent accidents, personal injuries and property damages.



DANGER!

The signal word **DANGER** warns against hazards that lead to severe injuries or death if the hazards are not avoided.



WARNING!

The signal word **WARNING** warns against hazards that may lead to moderate or severe injuries or death if the hazards are not avoided.



CAUTION!

The signal word **CAUTION** warns against hazards that may lead to light or moderate injuries if the hazards are not avoided.

IMPORTANT!

The signal word **IMPORTANT** indicates possible property damages, which may occur if safety instructions are not observed.

NOTE!

The symbol **NOTE** indicates subsequent information and guidelines for the user on usage of the appliance.

1.2 Safety instructions

Electrical Current

- Too high a mains voltage or incorrect installation may cause electric shock.
- The appliance may be connected only if data on the rating plate correspond with the mains voltage.
- To avoid short-circuit, the appliance should be kept dry.
- If there are malfunctions during operation, disconnect the appliance from the power supply.
- Do not touch the appliance's plug with wet hands.
- Never take hold of the appliance if it has fallen into water. Immediately disconnect the appliance from the power supply.
- Any repairs or housing opening may be carried out by professionals and relevant workshops only.
- Do not transport the appliance, holding it by the power cord.
- Do not allow the power cord to come into contact with heat sources or sharp edges.

- Do not bend, pinch nor knot the power cord.
- Always completely unwind the power cord.
- Never place the appliance or other objects on the power cord.
- Always take hold of the plug to disconnect the appliance from the power supply.
- Check the power cord regularly for damage. Do not use the appliance if the power cord is damaged. If this cable is damaged, it must be replaced by customer service or a qualified electrician in order to avoid dangers.

Flammable Materials

- Never subject the appliance to contact with high temperature sources, e.g.: oven, furnace, open flame, heat generating devices, etc.
- To avoid fire hazard, clean the appliance regularly.
- Do not cover the appliance with, e.g., aluminium foil or cloths.
- Use the appliance only with materials designated to this end and with correct temperature settings. Materials, groceries and left-overs remaining in the appliance may catch fire.
- Never use the appliance near flammable or inflammable materials, e.g.: petrol, spirit, alcohol, etc. High temperature triggers evaporation of these materials, and, as a result of contact with sources of ignition, an explosion may occur.
- In case of fire, disconnect the appliance from the power supply before attempting suitable fire-extinguishing actions.
- Never attempt to extinguish fire with water if the appliance is connected to the power supply. Following extinction of fire, ensure sufficient fresh air inflow.

EN

Hot Surfaces

- Surfaces of the appliance become hot during operation. Burning hazard! High temperature remains for some time after switching the appliance off.
- Do not touch any hot surfaces of the appliance. Use the provided handling elements and holders.
- You may transport and clean the appliance after it cools down entirely.
- It is prohibited to sprinkle hot surfaces with cold water or flammable liquids.

Operator's responsibility

The operator is responsible for complying with the currently applicable laws, regulations, ordinances and existing national regulations on accident prevention, environmental protection, as well as the internal operation, operating and safety instructions that apply at the respective installation site.

Obligations of the operator:

- Operate the appliance and its components only in a technical condition that does not raise any objections, with functional protective and safety elements.
- Prepare risk assessment at work positions.
- Provide instruction and regular staff training. Pay special attention to and observe the section concerning safety and any safety hints.
- Provide suitable personal protective equipment (PPE)
- Observe the intervals of maintenance and cleaning.
- Document training/instructions, replacement of components.

Operating Personnel

- The appliance may only be operated by qualified personnel and trained specialist personnel.
- This appliance may not be operated by persons (including children) with limited physical, sensory or mental capabilities, nor by persons with limited experience and/or limited knowledge.
- Children should be supervised to ensure that they are not playing with or switching on the appliance.

Supervised Usage only

- Only supervised appliance may be used.
- Always remain in an immediate vicinity of the appliance.

Improper Use

- Unintended or prohibited use may cause damage to the appliance.
- The appliance may only be used when its technical condition is flawless and allows for safe operation.
- The appliance may only be used when all connections are executed according to rules of law in force.
- The appliance may only be used when it is clean.
- Use only original spare parts. Never attempt to repair the appliance on your own.
- Do not introduce any changes in the appliance nor modify it.

1.3 Intended Use

This appliance is only intended for use described in the operating instructions, with the supplied and approved components.

Any other use is considered against the intended purpose. The manufacturer shall not be liable for any damage due to unintended use. In such cases the responsible party shall only be the user/operator.

EN

The following is an intended purpose:

- Keeping the prepared food warm in suitable GN containers.

1.4 Unintended Use

An unintended use may lead to personal injuries or property damages caused by hazardous voltage, fire or high temperature. The appliance may only be used to perform tasks described in this instruction manual.

The following is an unintended use:

- Heating-up flammable, hazardous to health and volatile, etc. liquids and materials.

2 General information

2.1 Liability and Warranty

The appliance was built in accordance with the current state of the art and recognized technical safety principles. Nevertheless, during its use, there may be a threat to the health and life of the user or bystanders, or the danger of damage to the device or other assets. Warranty and liability claims for personal injury/property damage as well as defects at work are excluded if they can be attributed to one or more of the following causes:

- Use against the intended purpose
- Failure to follow/disregard the instructions and all related information
- Unauthorized structural or technical changes to the device
- Engaging insufficiently trained and insufficiently qualified personnel
- Operation with defective or incorrectly installed safety and protective devices
- Inadequate maintenance or cleaning
- Faults not fixed
- Use of prohibited media, cleaning agents, etc.
- Use of unauthorised spare parts
- Errors in operation or other misuse
- Disasters caused by foreign objects or force majeure
- Destruction of the type plate and stickers relevant for operation and safety

2.2 Copyright Protection

This instruction manual, and texts, drawings and images included in it, as well as its other components are copyright protected. It is prohibited to reproduce this instruction manual (including its excerpts), in any form and by any means, and to use and/or transfer its content to third parties without manufacturer's written permission. Violation of the above results in obligation to pay compensation. We reserve the right to claim further damages.

2.3 Declaration of Conformity

The appliance meets the currently applicable standards and guidelines of the European Union. We confirm the above in the EC Declaration of Conformity. We may provide relevant Declaration of Conformity upon request.

3 Transport, Packaging and Storage

3.1 Delivery Check

Immediately upon reception, check the delivery for completeness and possible shipping damage. In the case of visible transport damage refuse to accept the appliance or accept it conditionally. Mark and note the scope of damage in shipping documents/consignment list of the shipping company and lodge a complaint.

Concealed damage must be reported immediately upon its discovery, as compensation claims may only be filed within applicable time limits.

If you find that parts or accessories missing, please contact our Customer Service Department.

3.2 Packaging

Do not dispose of the appliance cardboard box. It may be used to store the appliance when relocating or when shipping the appliance to our service point in the case of any damages.

The packaging and its elements are made of recyclable materials. Particularly, these are: plastic films and bags, cardboard box.

EN

When disposing of the packaging, observe applicable domestic regulations. Recyclable packaging materials should be recycled.

3.3 Storage

Leave the packaging closed until installation of the appliance; observe external indications concerning method of placing and storage. Store the packaging in the following conditions only:

- in closed rooms;
- in dry and dust-free surrounding;
- away from aggressive agents;
- in a location protected against sunlight;
- in a location protected against mechanical shocks.

In the case of extended storage (over three months), make sure you check the condition of the packaging and the parts regularly. If needed, replace the packaging with a new one.

4 Technical Data

4.1 Technical Specifications

Version / Characteristics

- Delivery form: self-assembly set (simple assembly)
- Colour: teak
- Worktop made of Rosa Porrino granite
- Stainless steel basin
- Drain tap
- Sneeze guard
- Lighting: on the sneeze guard
- 4 swivel castors, 2 with brakes
- Control: knob
- Indicator light: ON/OFF, heating-up

Name:	Buffet trolley, hot, 3x1/1 GN
Art. No.:	125614
Material:	Wood
Temperature range, min.–max., in °C:	30 - 90
Number of basins:	1
Basin size, GN format	3 x 1/1 GN
Max. GN container depth, in mm:	150
Power supply:	2 kW 230 V 50 Hz
Dimensions (W x D x H) in mm:	1.200 x 880 x 1.370
Weight in kg:	112,0

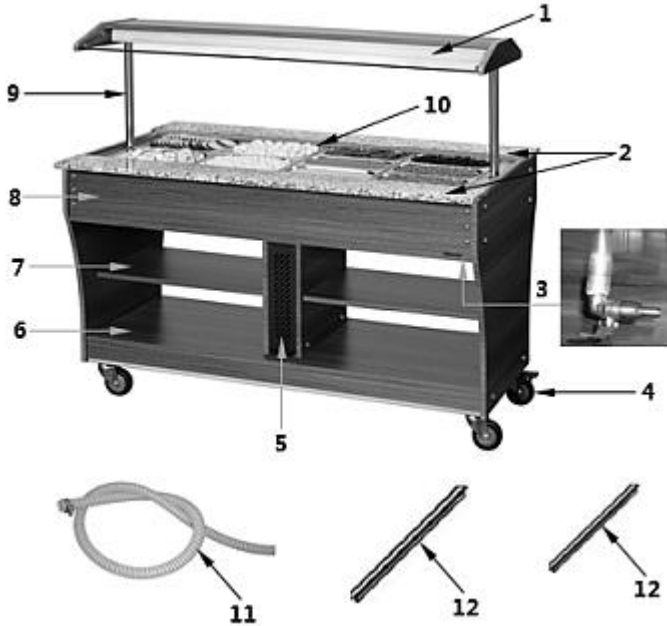
Name:	Buffet trolley, hot, 4x1/1 GN
Art. No.:	125628
Material:	Wood
Temperature range, min.–max., in °C:	30 - 90
Number of basins:	1
Basin size, GN format	4 x 1/1 GN
Max. GN container depth, in mm:	150
Power supply:	3 kW 230 V 50 Hz
Dimensions (W x D x H) in mm:	1.490 x 880 x 1.370
Weight in kg:	136,0

EN

Name:	Buffet trolley, hot, 6x1/1 GN
Art. No.:	125624
Material:	Wood
Temperature range, min.–max., in °C:	30 - 90
Number of basins:	2
Basin size, GN format	6 x 1/1 GN
Max. GN container depth, in mm:	150
Power supply:	4 kW 230 V 50 Hz
Dimensions (W x D x H) in mm:	2.150 x 880 x 1.370
Weight in kg:	184,0

We reserve the right to implement technical modifications!

4.2 List of Components of the Appliance



EN

The delivery does not include GN containers and decorations!


Fig. 1

- | | |
|-------------------------------|--|
| 1. Sneeze guard with lighting | 2. Worktops |
| 3. Water drain tap | 4. Swivel castors (4 pcs), 2 with brakes |
| 5. Ventilation openings | 6. Lower baseplate |
| 7. Shelf | 8. Body |
| 9. Poles for sneeze guard (2) | 10. GN containers basin |
| 11. Water drain hose | 12. GN containers bars |

Additional accessories

Buffet trolleys are prepared for assembling suitable tray slides on both sides (at the front and at the back). Fixing materials are included in the delivery.

The tray slides presented below (see table below) are not included in the delivery.

 <p><i>Fig. 2</i></p>	Buffet trolley	Tray slide
	125614	125502 W 1,140 x D 312 mm
	125628	125503 W 1,460 x D 312 mm
	125624	125504 W 2,115 x D 312 mm

4.3 Functions of the Appliance

EN

The buffet trolley is intended for displaying and serving warm food prepared in suitable GN containers.

5 Installation and operation

5.1 Installation



CAUTION!

Incorrect installation, positioning, operation, maintenance or misuse of the appliance may lead to personal injury or property damage.

Positioning and installation, as well as repairs may be performed by authorised technical service only and in compliance with the applicable national law.

Unpacking / Positioning

- Unpack the appliance, remove all external and internal packaging elements and shipment safeguards.



CAUTION!

Choking hazard!

Prevent children from accessing packaging materials, for instance: plastic bags and EPS elements.

- If the appliance is covered with a protective film, remove it. Remove the film slowly, so no glue residues are left. Remove any glue residues with the use of a suitable solvent.
- Be careful not to damage the rating plate and warning labels affixed to the appliance.
- **Never** place the appliance in humid or wet environment.
- Place the appliance in a way making the connections easily accessible, so that they may be quickly disconnected if such a need arises.
- When selecting the installation site, please consider the following items:
 - The mounting surface must be even, sufficiently load-bearing, waterproof, dry and resistant to high temperatures.
 - Make sure that the designated escape routes are clear.
 - Ensure a stable position.
 - Allow sufficient space for work, maintenance and cleaning.
 - Leave the supply and exhaust air vents, if any, free.
 - Comply with applicable technical and building regulations.
- Leave at least 20 cm clearance from flammable walls and items.

Assembly of the sneeze guard on the buffet trolley

NOTE!

2 persons are needed to assemble all components!

1. Assemble the sneeze guard with integrated lighting on the appliance (Fig. 3).

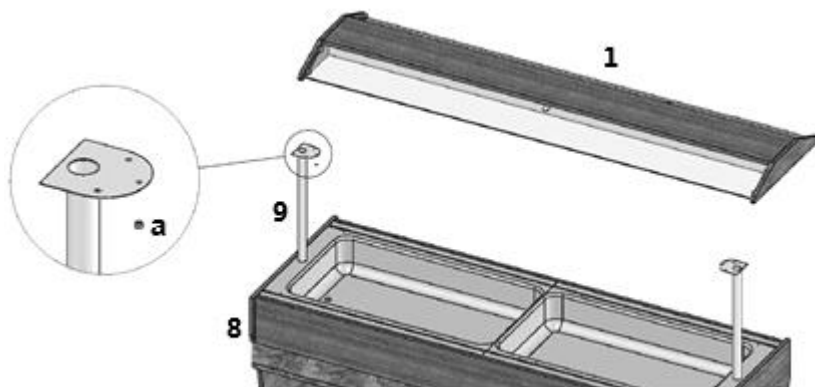


Fig. 3

2. In order to fix the sneeze guard (1), place the poles (9) in holes prepared for this end in the body (8) of the appliance.
3. Fit the sneeze guard (1) on the poles (9) so that the factory assembled pins would slide in the surfaces of the poles designed to this end.
4. Then, fix the sneeze guard (1) on the poles (9), using the included nuts (a), with 3 at each side.
5. Pay attention to the channels for sneeze guard (1) lighting cables.
6. Connect the lighting power cord with the designated plug.

Assembly of tray slides

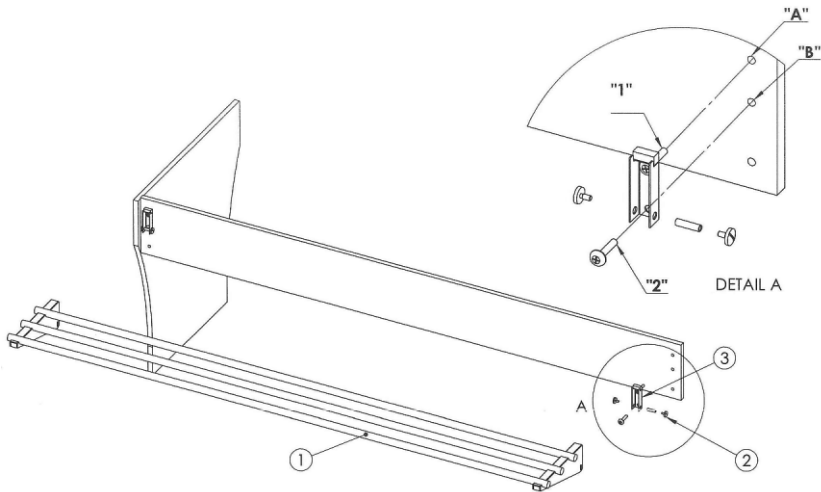


Fig. 4

EN

1. To assemble the support ③ (Fig. 4) of the tray slide, use 'A' and 'B' holes (the 1st and 2nd hole from the top in the wooden panel).
2. First, remove the guards from the holes.
3. Assemble the support ③ on the wooden panel, by screwing together the '1' screw with the 'A' hole and the '2' screw with the 'B' hole.
4. Fit the tray slide ① onto the supports and fix it with the enclosed distance screw ②.
5. If needed, the tray slide may be folded (Fig. 5).



Fig. 5

- When the appliance is moved to the selected location, block the swivel castors with parking brakes.

Power supply connection

- Verify if technical data of the appliance (see rating plate) correspond with the local electric power grid specification.
- Connect the appliance to a single, properly grounded mains socket with protective contact. Do not connect the appliance to a multi-socket.
- The power cord should be laid in a way preventing anyone from threading on it or tripping against it.
- Do not use the appliance with an external timer or remote control.
- In order to connect the **125624** model, 2 separate sockets are required.

5.2 Operation

EN

Preparation of the appliance

1. Before use, clean the appliance, observing instructions in section 6 '**Cleaning**'.
2. Dry the appliance thoroughly.
3. Make sure the drain tap is closed.
4. Make sure that the appliance is switched off.
5. Pour water to the GN containers basin.

ATTENTION!

Never use the appliance without water.

The water level may reach maximum of 6 cm.

Check the water level in the GN container basin regularly. If needed, top up with water.

Tips for the user

- Do not place any heavy objects on the sneeze guard (for example, do not place a stack of plates).
- To place the utensils, etc., use the shelves or lower working surfaces.
- Place warm foods into the appliance, so that they are ready to be served faster.

Control Panel

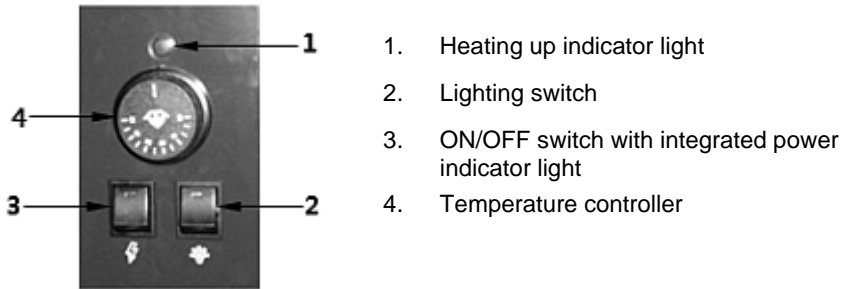


Fig. 6

Appliance start-up

The **125624** buffet trolley is equipped with 2 separate heaters, which independently heat up the divided area of the GN containers basin.

The temperature regulation of individual areas is effected with two separate control panels at the back of the appliance.

If needed, only one part of the buffet trolley may be used.

1. Switch the appliance on with the ON/OFF switch.

The green indicator light in the ON/OFF switch lights up.

2. Set the desired temperature within the range of 30°C – 90°C with the temperature controller.

The heat-up control lamp turns on.

As soon as the set temperature is reached, the heating up indicator light goes off and lights up again, when the temperature of the GN containers basin drops and the heater switches on again.

3. If needed, switch the lighting on the sneeze guard, using a suitable switch.

Heating of food

1. Fill in the GN containers with warm food and place them in the GN containers basin.
2. Serve the warm food as needed.

Switching the appliance off / draining water

1. If the appliance is not be used any more, set the temperature controller to '0' position.
2. Switch the appliance off with the ON/OFF switch and disconnect it from the mains socket (pull the plug out).

WARNING! Risk of burns!

The water in the GN containers basin may heat up considerably.

Wait for the water to cool down before draining.

3. Fit the supplied water drain hose on the water drain tap under the GN containers basin.
4. Open the water drain tap and drain the water to a suitable container.

EN

6 Cleaning and Maintenance

The operator must ensure that the device and its safety components are kept in good condition. Control and safety systems should be checked for their effectiveness.

Maintenance, cleaning and repairs must only be carried out by suitably trained and specialised personnel.

If the safety devices need to be removed for maintenance, cleaning and repair, they should be reinstalled immediately after completion and their function should be checked.

All maintenance and cleaning work must be carried out in accordance with the operating instructions at the specified intervals.

6.1 Safety Instructions for Cleaning

- Before cleaning, disconnect the appliance from the power supply.
- Leave the appliance to cool down completely.
- Make sure water does not enter the appliance. Do not immerse the appliance in water or other liquids during cleaning. Do not clean the appliance with a pressurized water jet.
- Do not use any sharp or pointed, nor metal implements (knife, fork, etc.). Sharp or pointed implements may damage the appliance, and when in contact with live parts, they may cause electric shock.
- For cleaning, do not use any scouring agents that contain solvents nor corrosive cleaning agents. They may damage the surface.

6.2 Cleaning

1. Clean the appliance regularly at the end of each working day, and, if necessary, also in the meantime or when the appliance is not to be used for a longer time.
2. Remove GN containers from the GN container basin.
3. Drain the water from the GN containers basin (section '**Switching the Appliance off / Draining Water**').
4. Clean the GN containers basin thoroughly with a soft cloth and a mild cleaning agent.
5. Rinse in clean water.
6. Dry the GN containers basin thoroughly afterwards.
7. Clean the body, worktop and shelves with a soft, damp cloth and dry thoroughly.
8. Wash the GN containers regularly and thoroughly in warm water with a soft cloth and a mild cleaning agent. Rinse with clean water and dry thoroughly.

6.3 Maintenance

We recommend you to have the appliance serviced at least once a year; if needed, we recommend entering into a service agreement.

7 Disposal

Electrical Appliance



Electric appliances are marked with this symbol. Electrical appliances must be disposed of and recycled in a correct and environmentally friendly manner. You must not dispose of electric appliances with household waste. Disconnect the appliance from the power supply and remove power cord from the appliance.

Electrical appliances should be returned to designated collection points.